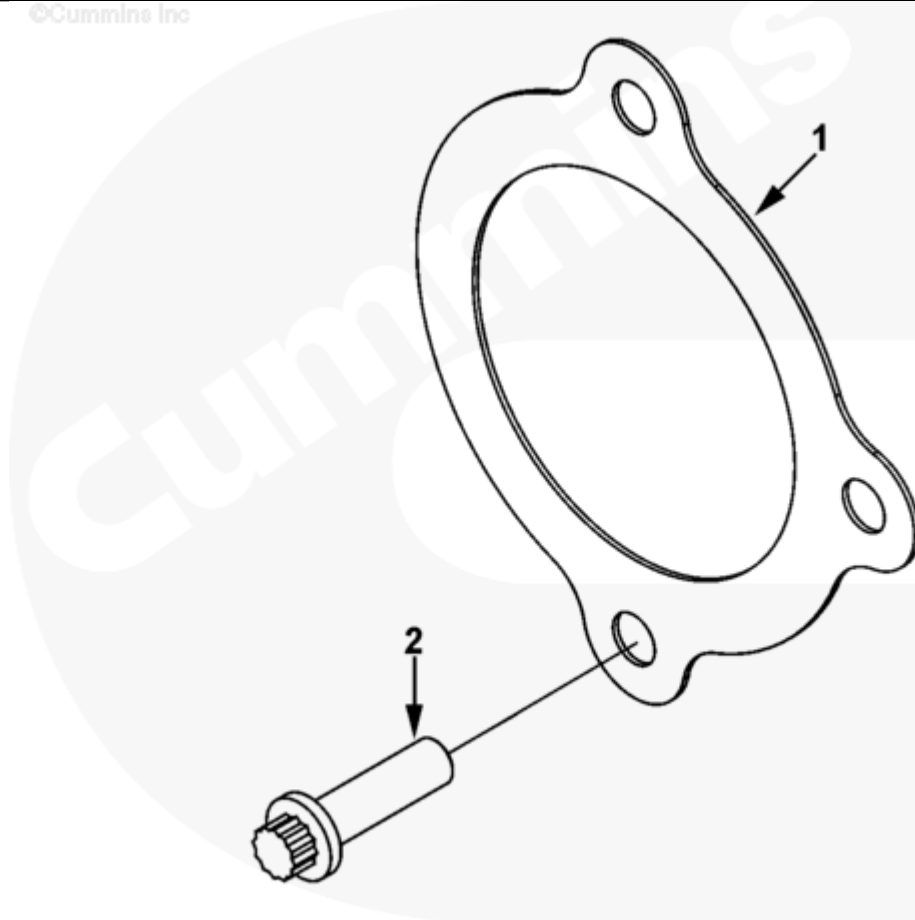




## Parts Catalog - Option Detail

| Electronic Parts Catalog - Option Detail |  |         |           |           |
|--|--|---------|-----------|-----------|
| Option                                   | Group  | Graphic | Film Card | Date      |
| SM9060-02                                | 13.05.1  | sm952ga | Z         | 22-NOV-04 |
| <b>Engines</b>                           | 6C8.3, C GAS PLUS CM556, G8.3, G8.3 CM558, GTA8.3 CM558, ISC CM2150, ISC CM554, ISC CM850, ISC8.3 CM2250, ISC8.3 G CM2180 C101, ISL CM2150, ISL CM554, ISL CM850, ISL G CM2180, ISL8.9 CM2150 L110, ISL8.9 CM2880 L112, ISL9 CM2150 SN, ISL9 CM2250, ISL9 CM2350 L101, ISL9 CM2350 L111, ISLE4 CM850, L GAS PLUS CM556, L8.9, L8.9 L121, L8.9G CMOH2.0 L125B, L9 CM2350 L116B, L9 CM2350 L119B, L9 CM2350 L120C, L9 CM2350 L123B, L9.3 L105, L9.5 L117, L9N CM2380 L124B, QSC8.3 CM2250, QSC8.3 CM2880 C102, QSC8.3 CM554, QSC8.3 CM850(CM2850), QSL9 CM2250, QSL9 CM2250 L115, QSL9 CM2350 L102, QSL9 CM2350 L107, QSL9 CM2350 L118, QSL9 CM2350 L122, QSL9 CM554, QSL9 CM850(CM2850), QSL9 G CM558, QSL9 M CM2250 L106, QSL9.3 CM2880 L113 |         |           |           |

©Cummins Inc



**sm952ga**

[SMALL](#) | [MEDIUM](#) | [LARGE](#)

| Cart  | Ref No | Part Number | Part Description        | Required | Remarks  |
|---|--------|-------------|-------------------------|----------|--|
| <input type="button" value="View My Cart"/> |        |             |                         |          |  |
|   |        | SM9060-02   | Starting Motor Mounting |          | <a href="#">MR - MOUNTING, STARTING MOTOR...(More)</a> |
|   |        |             |                         |          | Thread Size: M12                                       |

|                          |   |                         |                        |   |                              |
|--------------------------|---|-------------------------|------------------------|---|------------------------------|
|                          |   |                         |                        |   | Item Supplied: Gasket Not    |
|                          |   |                         |                        |   | Included                     |
|                          |   |                         |                        |   | Spacer Thickness (mm): 1.25  |
|                          |   |                         |                        |   | Spacer Mounting Flange SAE   |
|                          |   |                         |                        |   | Type: SAE# 3 - 3 Bolt 120    |
|                          |   |                         |                        |   | Spacer Included: Yes         |
|                          |   |                         |                        |   | Spacer Male Pilot Diameter   |
|                          |   |                         |                        |   | (mm): 92.05                  |
|                          |   |                         |                        |   | Spacer Female Pilot Diameter |
|                          |   |                         |                        |   | (mm): 92.05                  |
|                          |   |                         |                        |   | Mounting Hardware Supplied:  |
|                          |   |                         |                        |   | 3 Capscrews                  |
|                          |   |                         |                        |   | Mounting Hardware Supplier:  |
|                          |   |                         |                        |   | Cummins                      |
|                          |   |                         |                        |   |                              |
| <input type="checkbox"/> | 1 | <a href="#">3965952</a> | Starting Motor Spacer  | 1 |                              |
| <input type="checkbox"/> | 2 | <a href="#">3968466</a> | Twelve Point Cap Screw | 3 | M12 x 1.75 x 50              |